

Ordering Guide

2 B33082FSM VCP CTP MED

2 - Quantity
 B33082FSM - Model Number
 VCP - Finish Code
 CTP - Panel/Globe Code
 MED - Wattage, Lamping or other options

All products are made to order, please consult factory for lead time.

B33071
Granite



B33671
Verde Copper



B33031
Black

B33082FSM
Verde Copper

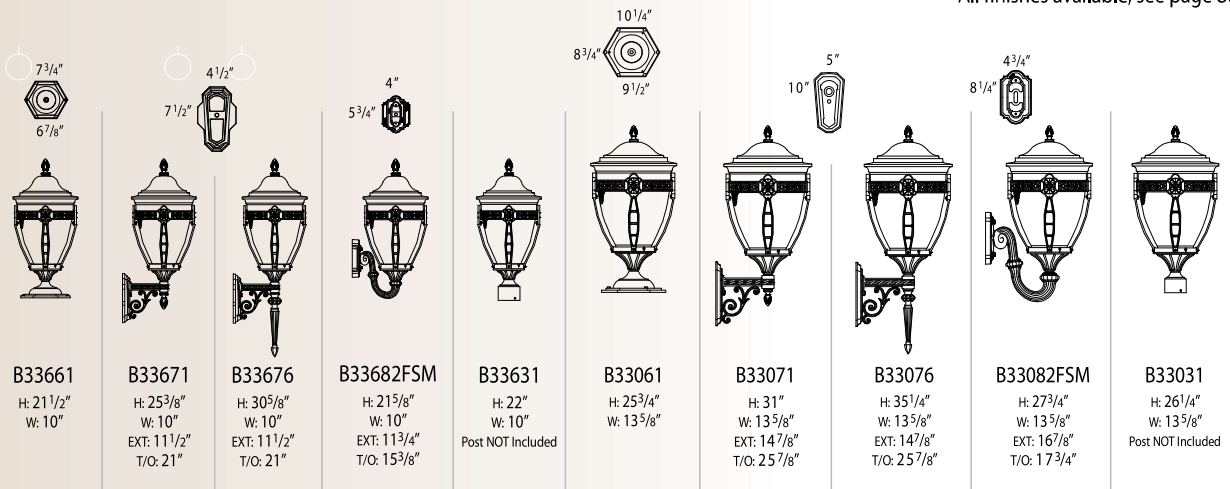


North Hills

B33600 – small
B33000 – medium

Standard on all fixtures below:

- Porcelain medium base socket (33600 - 10" dia. - 60w max, 33000 - 13⁵/₈" dia. - 100w max.)
- Clear textured UV stabilized polycarbonate globe
- Painted spun aluminum top dome
 - Cast aluminum construction
- All finishes available, see page 80



Hanover
 LANTERN
Handcrafted in the USA